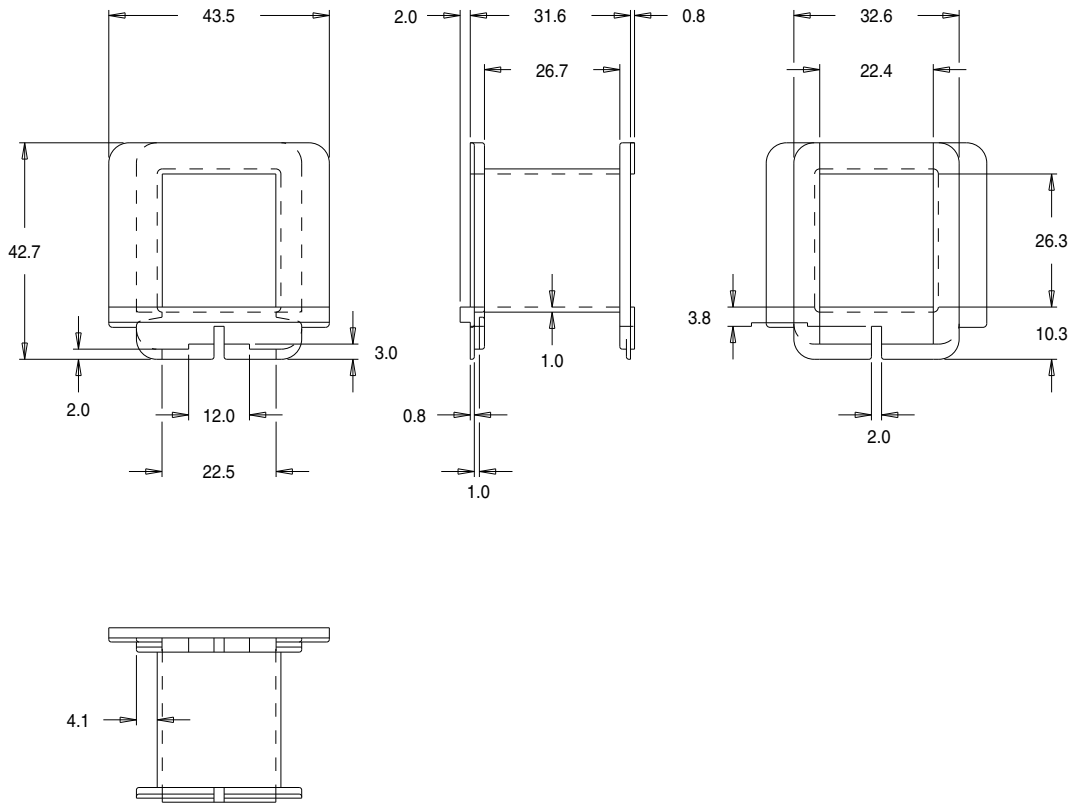


Part No. VM0100  
EI 66 x 26.2 Primary Bobbin  
(Used With Secondary Bobbin VM0101)



Dimensions in millimetres.



Issue 1